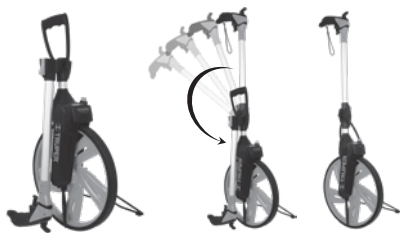


INSTRUCTIVE

Read the instruction manual before use

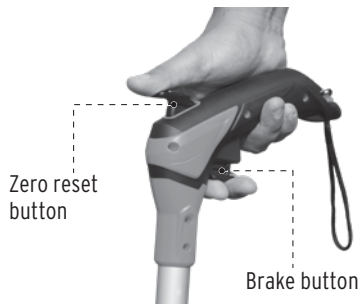
1.- To extend the handle, lift it until it is at a 90° angle clockwise and listen for the click of the lock.



2.- To fold, press the side button and fold it.



3.- Brake button and zero reset buttons on the handle and mechanism.



4.- Maximum measurement capacity is 9 999.9 m, reset the counter mark to 0 000.0 by pressing the button.

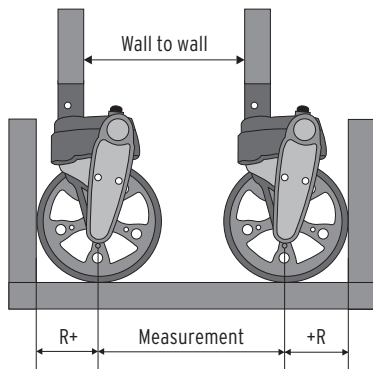


MEASURING FROM WALL TO WALL

Place the measuring wheel on the floor, with the back of the wheel against the wall.

Proceed to move in a straight line to the next wall.

Record the meter reading. The diameter of the wheel should be added to this reading (32 cm).

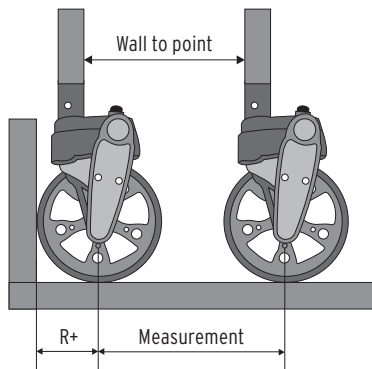


MEASURE FROM WALL TO ANY POINT

Place the measuring wheel on the floor, with the back of the wheel against the wall.

Proceed to move in a straight line to the desired point.

Record the meter reading. The radius of the wheel must be added to this reading (16 cm).

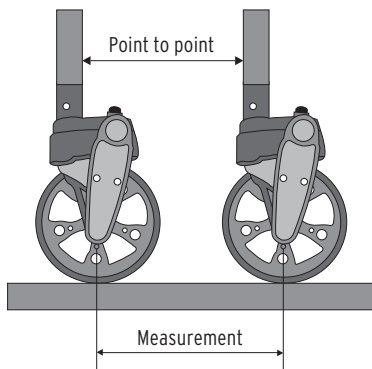


MEASURING FROM ONE POINT TO ANOTHER

Place the measuring wheel on the ground, mark the start of the measurement with the point on the tire.

Proceed to move in a straight line to the desired point.

Record the meter reading.



Imported by **Truper, S.A. de C.V.** Parque Industrial 1,
Parque Industrial Jilotepec, Jilotepec, Edo. de Méx.
C.P. 54257, Made in China, Phone number 761 782
9100. www.truper.com 12-2019